

**Stone/ Slab handling Standard Application of vertically.  
Max lifting 400kgs.**

Note- Images shown will be Different from actual products

For Inquiries contact [skilifter2020@gmail.com](mailto:skilifter2020@gmail.com) or +919823479223

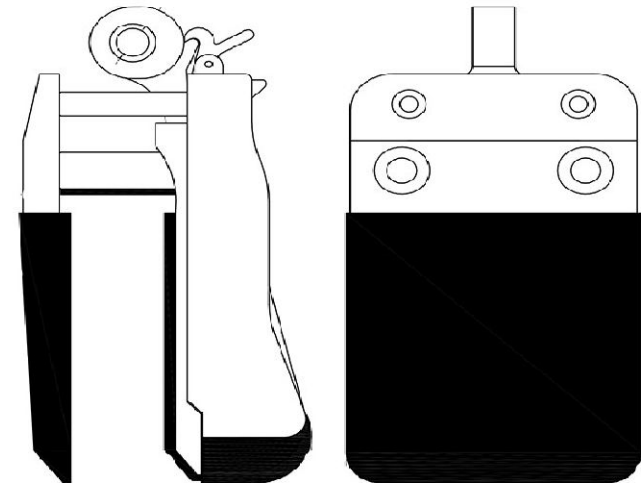
# SKI Slab Lifter:

SKI Lifter is a equipment for lifting and moving slab-form loads. The SKI Lifter is attached with latch that automatically releases the lifter from the slab once the slab has been fully lowered to the ground. This make the process of lifting and lowering of slabs a one man operation.

## Features

- Size:** Being of a compact construction, the SKI Lifter allows for close packed stone slabs to be lifted out of racks and containers. Lower height slabs placed along side of taller slabs offer no problem, as is the case with scissor clamps.
- Versatile:** Ideal for construction work. Because the clamping mechanism is to the front of the slab, they allow panels to be placed close against walls.
- Safety:** Requires only a small movement of the slab to engage and grip the slab, which is generally well below the over balance angle thus eliminating the danger to the operator.
- Secure:** The SKI clamps grip marble and granite slabs firmly. The SKI Lifter has a force-multiplying factor of approximately 2 to 1.

Details	Size
Grip range	12 – 55 mm
Working load limit	1250 kg
Net weight	50 kg
Gross weight	55 kg



For Inquiries contact [skilifter2020@gmail.com](mailto:skilifter2020@gmail.com) or +919823479223

## Features

- Size:** Being of a compact construction, Slab Lifter allows for close packed stone slabs to be lifted out of racks and containers. Lower height slabs placed along side of taller slabs offer no problem, as is the case with scissor clamps.
- Versatile:** Ideal for construction work. Because the clamping mechanism is to the front of the slab, they allow panels to be placed close against walls.
- Safety:** Requires only a small movement of the slab to engage and grip the slab, which is generally well below the over balance angle thus eliminating the danger to the operator.
- Secure:** The clamps grip marble and granite slabs firmly. The Slab Lifter has a force-multiplying factor of approximately 2.5 to 1.

For Inquiries contact [skilifter2020@gmail.com](mailto:skilifter2020@gmail.com) or +919823479223